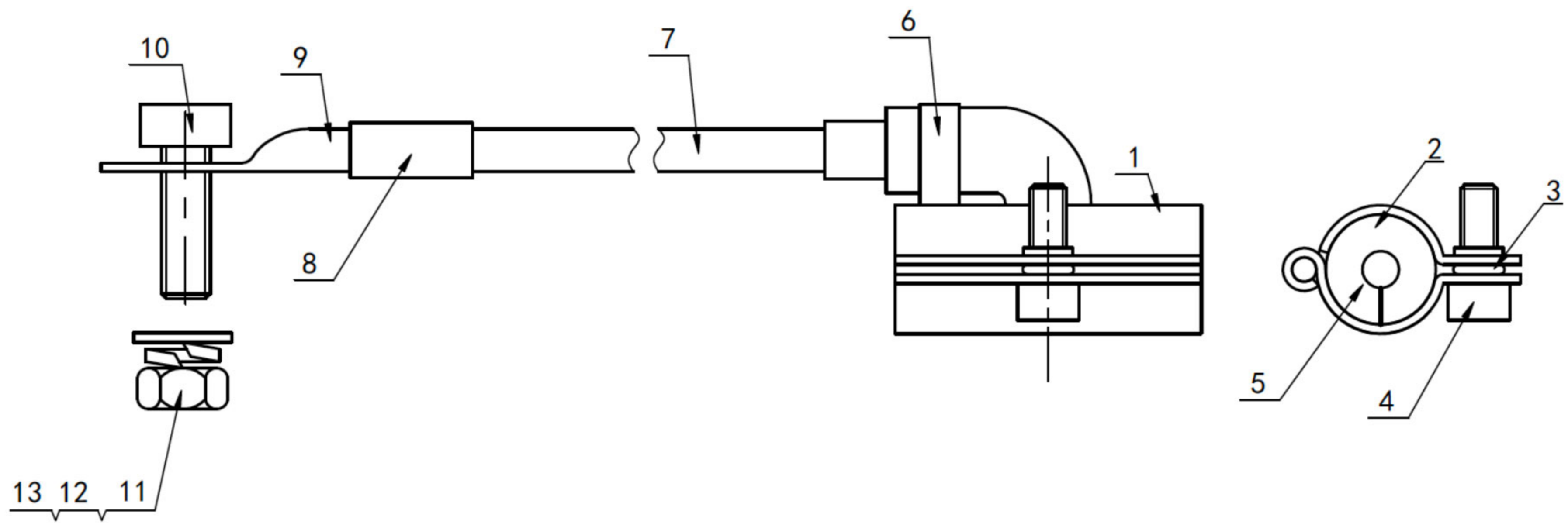


CCS PART CODE
EKR214/3

Gemel Grounding Kit for LMR400 Cable

Description:

Gemel type grounding kits are designed to provide electrical contact between the outer conductor of the coaxial cable and earth, protect coaxial cable from lightning strikes. This grounding kit is compact design for outdoor coaxial cables (corrugated or braid) grounding. It consists of shell, gasket, inner contact, cable and lug. The installation only takes a few minutes, no additional tape required.



Material list:

No.	Name	Spec	Quantity	Material
1	Gemel Clamp	LMR400	1	SUS304
2	Sealing Rubber Ring	LMR400	1	Rubber
3	O-ring	Φ5	1	Rubber
4	Hex Socket Screw	M5x20	1	SUS304
5	Inner Contact	LMR400	1	T2 Copper Tinned
6	Clamp	N/A	1	SS304
7	Grounding Cable	16 ² , 60CM	1	T2, BVR
8	Heat Shrink Tube	Φ9.5x30	1	N/A
9	Lug	16 ² -8, Single Hole	1	T2 Copper Tinned
10	Hex Socket Screw	M8x25	1	SUS304
11	Nut	M8	1	SUS304
12	Washer	Φ8	1	SUS304
13	Spring Washer	Φ8	1	SUS304
14	Silicon Grease	N/A	1	N/A